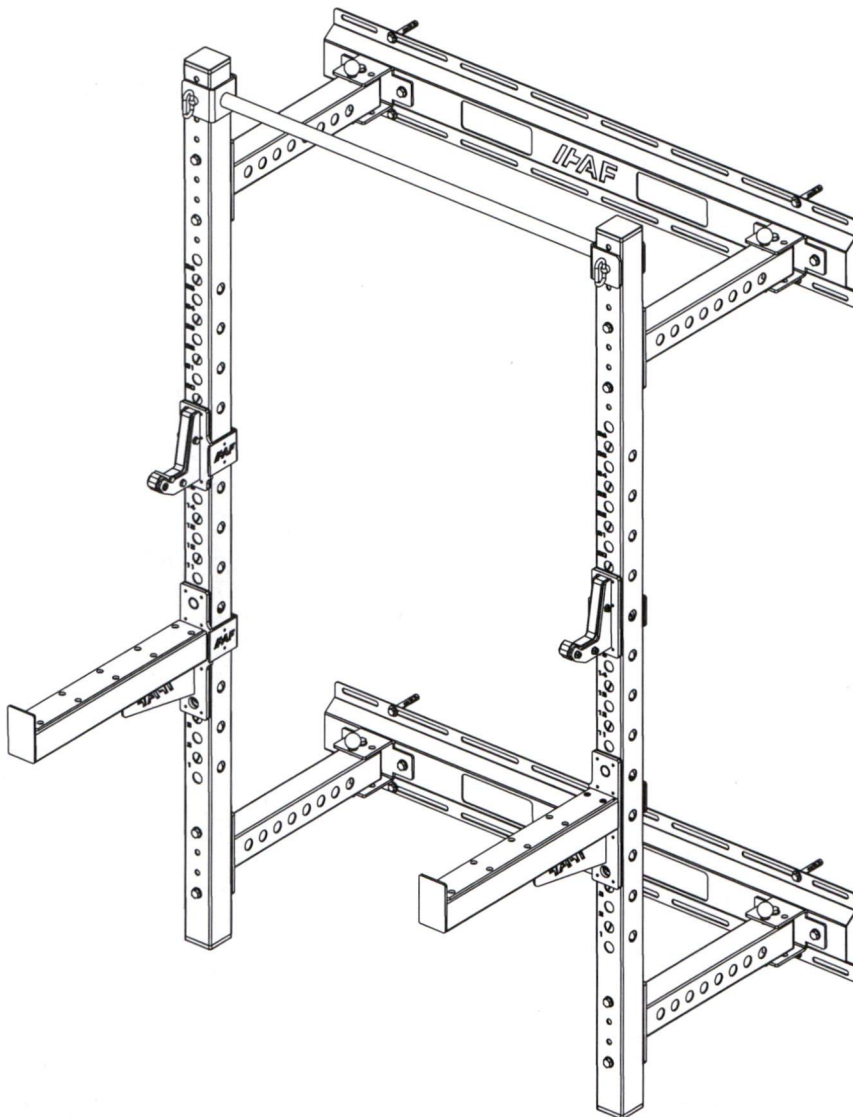


# Wall Mount Rack

Assembly Instructions - Please keep for future reference

**IHAF**  
ADAMANT FITNESS



## OWNER'S MANUAL

**Important** – Please read these instructions fully before assembly or use

These instructions contain important information which will help you get the best from your equipment and ensure safe and correct assembly, use and maintenance.

## Safety Information

### Important – Please read fully before assembly or using

Please take sufficient time to read the installation instructions before assembling the unit.

Before beginning any exercise program, a general medical examination should be performed by a physician to rule out any health risks.

With improper use of the machine, such as excessive exercise, incorrect settings, etc., damage to health cannot be ruled out.

This machine is intended solely for use by adults and adolescents with appropriate physical and mental development.

Make sure that every user of this machine is sufficiently familiar with all of its functions.

Learn the proper exercise technique before training with heavy weights.

Never allow children to play on this machine or in its immediate vicinity!

Worn or defective parts pose a safety risk and have to be replaced immediately!

If there are defects in the machine it must not be used until it is fully repaired!

Use of this machine is only approved for the purpose it is intended for! The specified capacity limits must not be exceeded!

When setting up the machine allow for enough freedom of movement for its operation and for exercising.

Special attention should be paid to its moving parts.

If it is fastened to the wall or ceiling, you must make sure there is enough load-bearing capacity at these fixture sites.

The machine must be set up on a horizontal, level, and stable surface!

Any unevenness on the floor must be compensated for.

Place the exercise machine such that no one can hurt his or herself on protruding parts.

Weight plates and bars should be removed from the machine after training, and stowed away in the storage system provided.

## Exploded Diagram Parts List

**Note:** Some of the smaller components may be pre-fitted to larger components. Please check carefully before contacting us regarding any missing components.

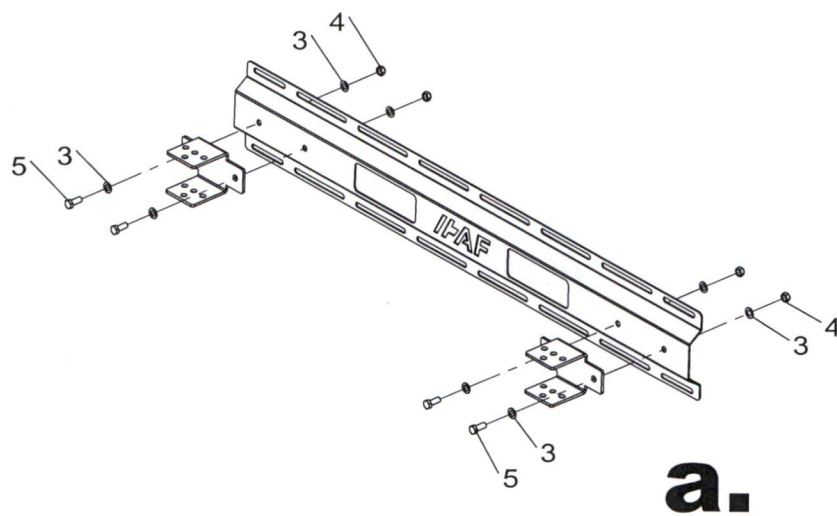
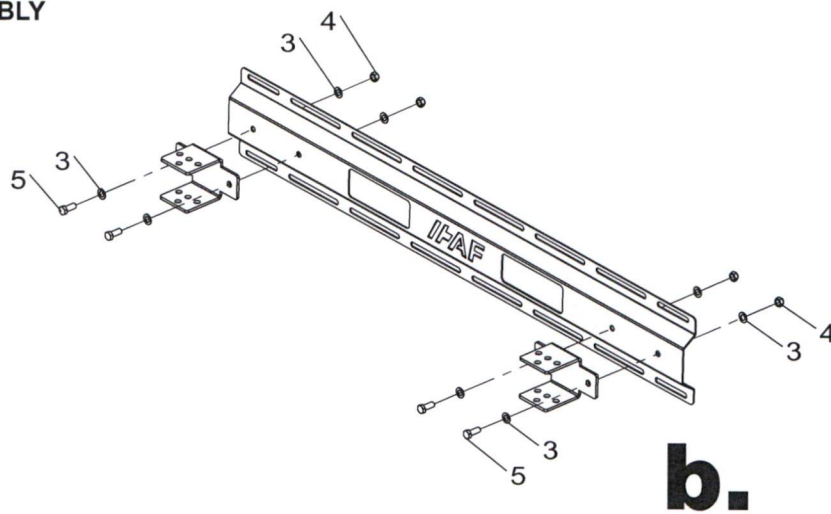
Part	Description	Q'ty
1	Handle-pin $\varnothing 12$	2
2	Round head-pin $\varnothing 12$	4
3	Washer $\varnothing 12$	40
4	Lock nut M12	20
5	Hex bolt M12x30	8
6	Hex bolt M12x100	8
7	Hex bolt M12x120	4
8	Expansion bolt M10x70	8

# Assembly Instructions

UNPACK THE CARTON AND  
PLACE ALL PARTS ON THE  
FLOOR. CAREFULLY  
REMOVE ALL PACKING  
MATERIAL AND CHECK EACH  
PART WITH THE MANUAL FIRST.  
REMEMBER SOME PARTS  
ARE PRE-FITTED TO LARGER  
COMPONENTS.

## **IMPORTANT**

ASSEMBLE WITH ALL NUTS  
AND BOLTS LOOSE AT  
FIRST, ONLY TIGHTEN AFTER  
COMPLETING ALL ASSEMBLY  
STEPS.

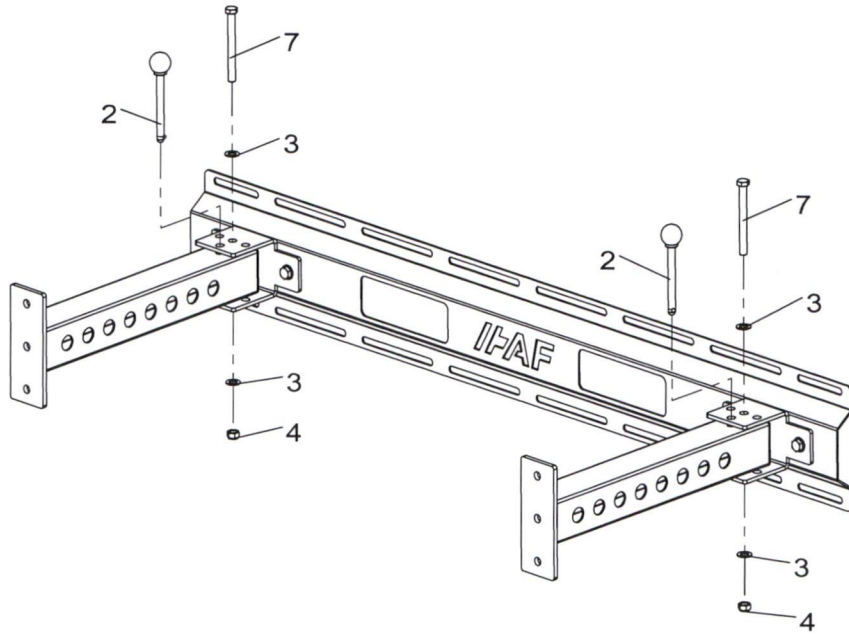


STEP 01

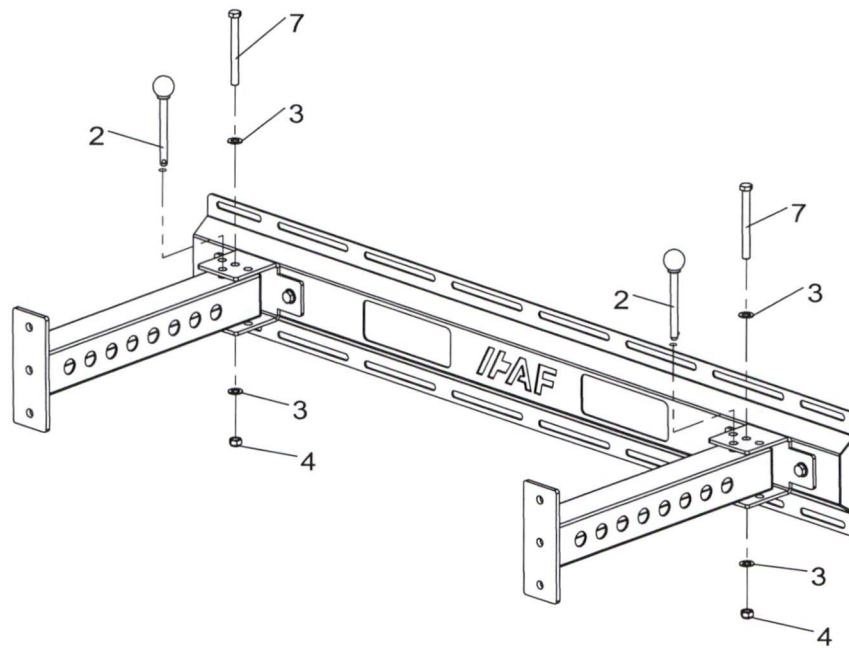
---



# Assembly Instructions



**b.**

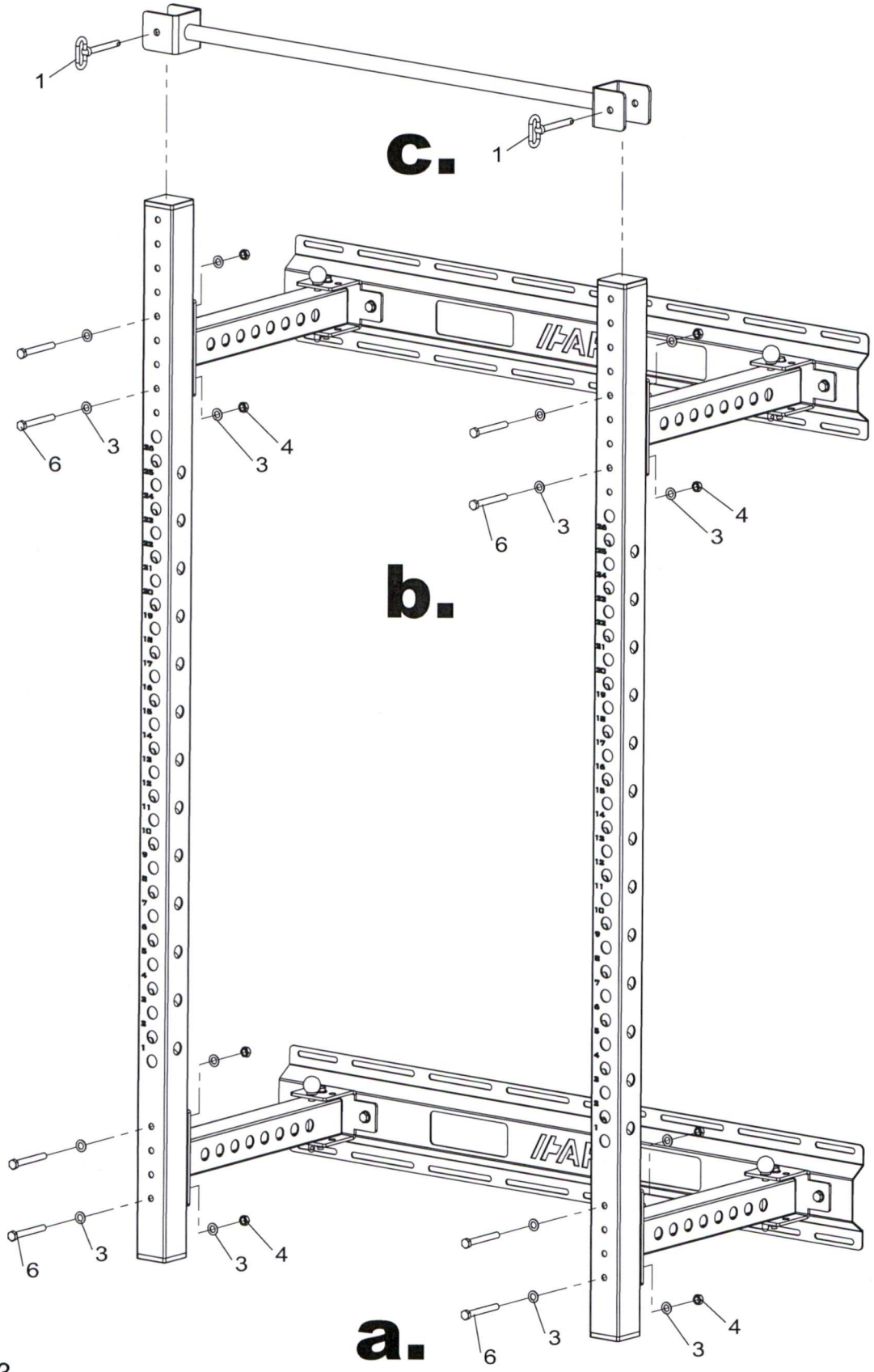


**a.**

STEP 02

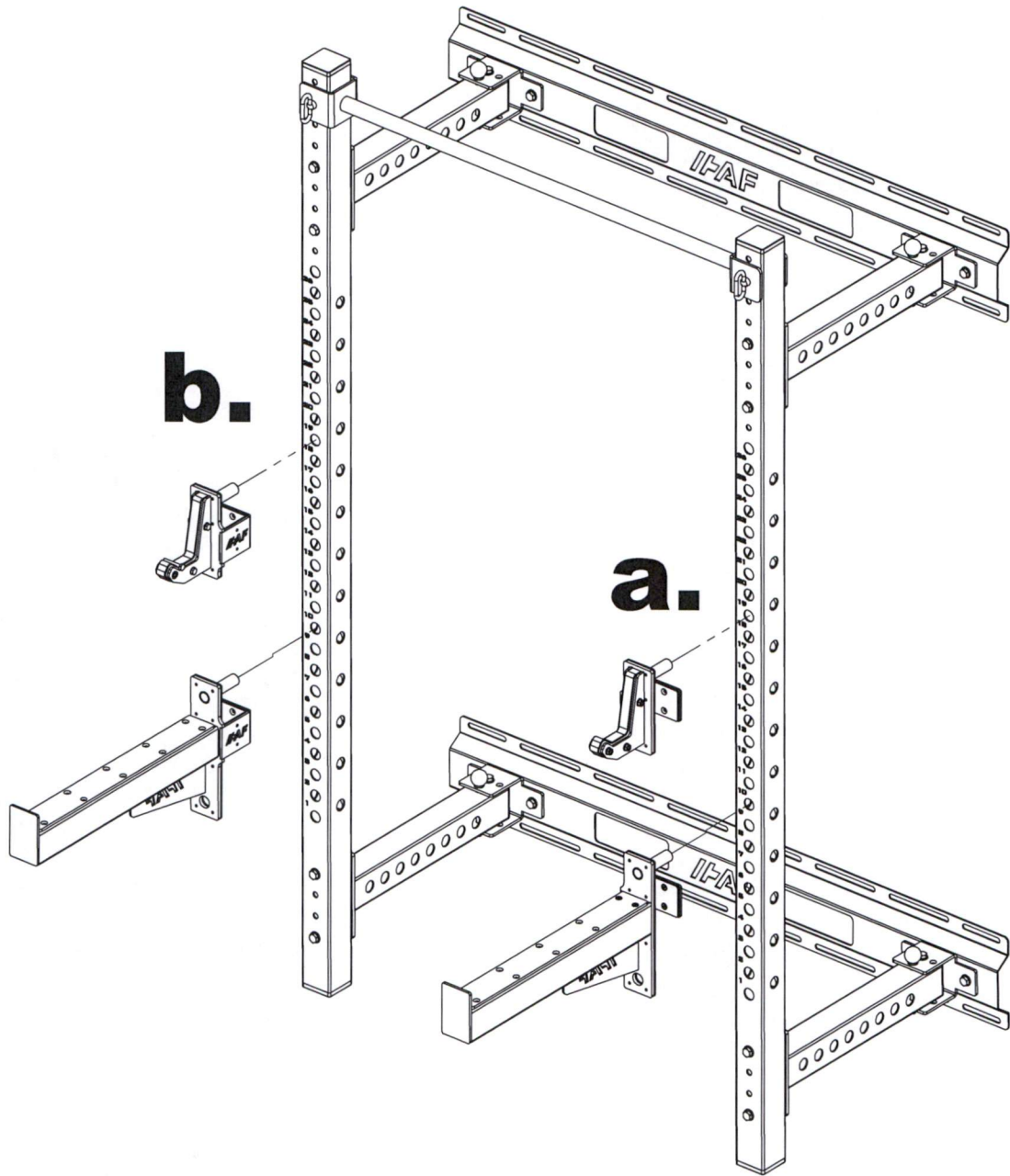
---

# Assembly Instructions



STEP 03

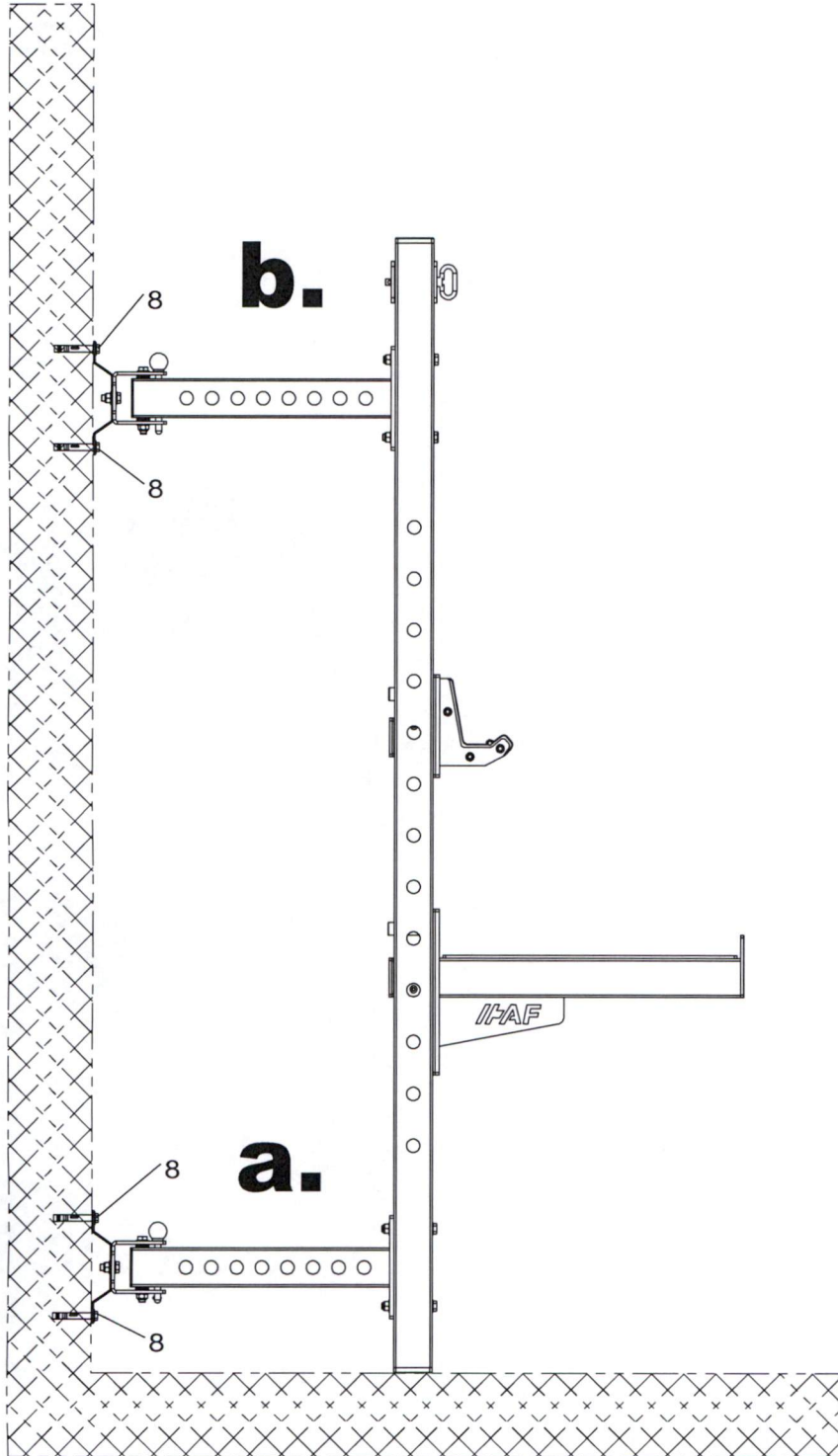
# Assembly Instructions



STEP 04

---

# Assembly Instructions



STEP 05